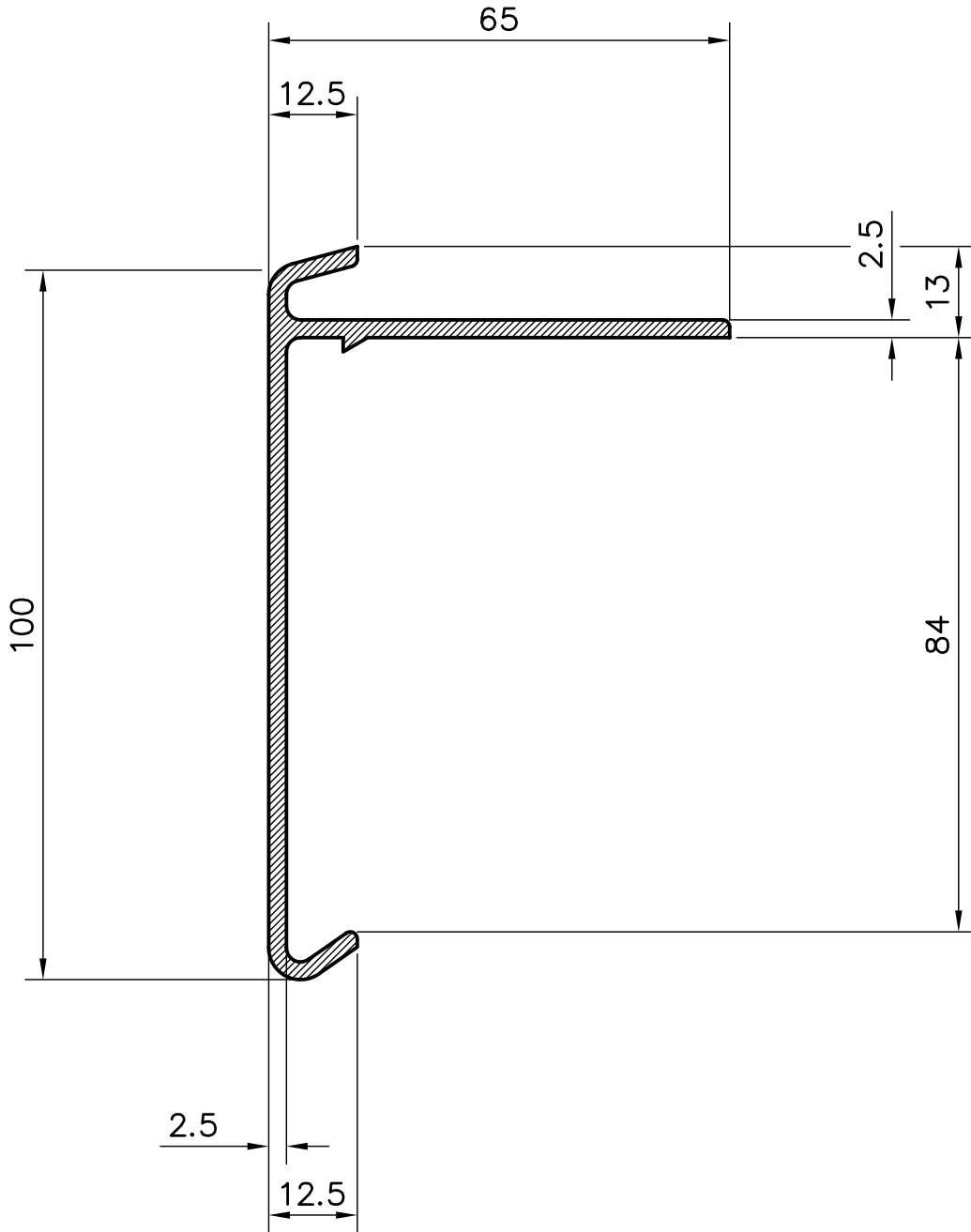
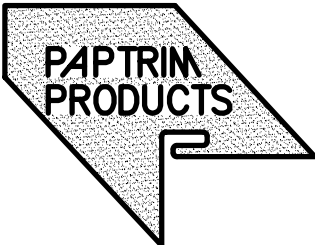


ALL DIMENSIONS IN MILLIMETRES UNLESS OTHERWISE STATED  
DO NOT SCALE – IF IN DOUBT ASK

CONFIDENTIAL  
THIS DOCUMENT CONTAINS PROPRIETARY INFORMATION OF PAPTRIM PRODUCTS AND ITS RECEIPT OR POSSESSION DOES NOT CONVEY ANY RIGHTS TO REPRODUCE, DISCLOSE ITS CONTENTS, OR TO MANUFACTURE, USE, OR SELL ANYTHING IT MAY DESCRIBE, REPRODUCTION, DISCLOSURE, OR USE WITHOUT AUTHORIZATION OF PAPTRIM PRODUCTS IS STRICTLY FORBIDDEN



SUPPLIED IN 2.5 METRE LENGTHS WITH LOOSE JOINTING SLEEVE  
90° INTERNAL AND EXTERNAL CORNER PIECES AVAILABLE  
STANDARD COLOURS BLACK, WHITE AND GREY  
OTHER COLOURS CAN BE SUPPLIED, PRICES & LEAD TIMES ON APPLICATION



Unit 1, Woodcock Hill Industrial Estate,  
Harefield Road, Rickmansworth,  
Herts, WD3 1PQ  
Tel: 01923 726959 Fax: 01923 896080  
info@paptrim.co.uk www.paptrim.co.uk

TITLE

GRP FELT ROOF EDGE TRIM

DRAWING/PART No.

FLD/G

ISS

A